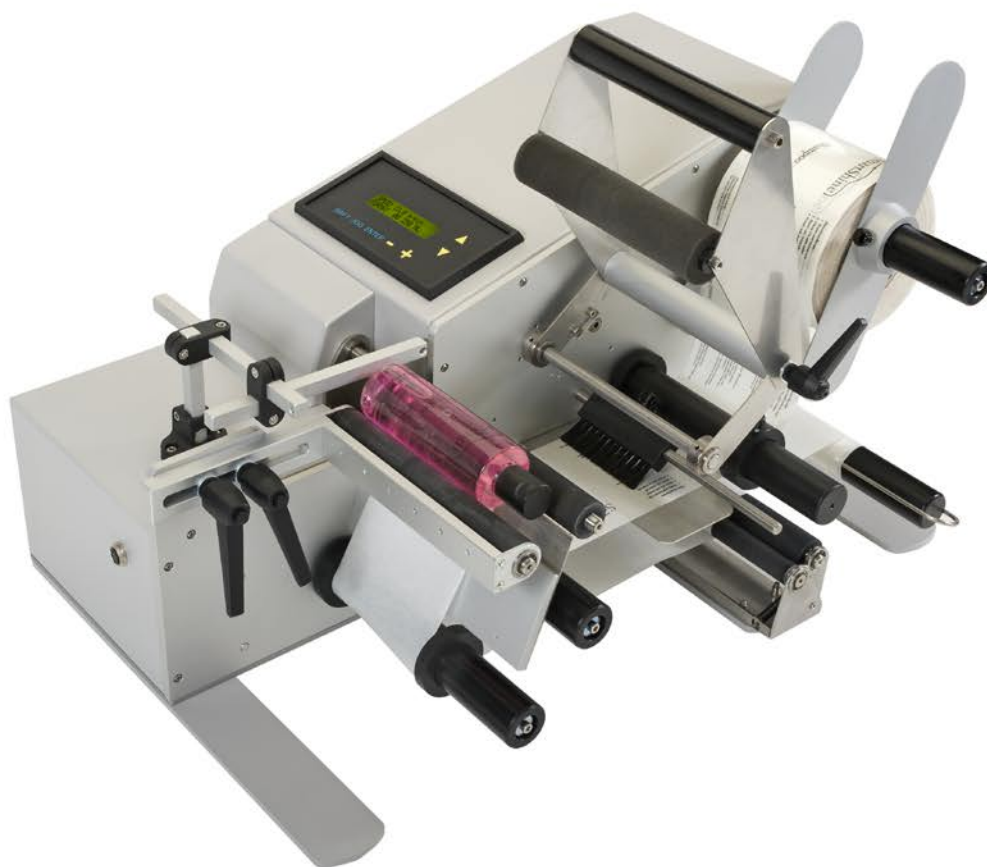


DWR Round

Semi-automatic labeling machines for round products



DWR DOUND



DWR ROUND is a desktop wraparound labeling machine developed for accurate applications of self adhesive label on cylindrical products. DWR ROUND can accept labels up to 200 mm width, the roll holder can be adapted to any core type and can accept rolls up to 300 mm in diameter, thus offering long operation autonomy.

Technical features

DWR ROUND

Product diameter	20-130 mm
Label width	15-200 mm
Label length	15-600 mm
Speed	4/15 m/m
Roll diameter	300 mm
Core diameter	38-110 mm
Supply voltage	230 Vac-50Hz
Power consumption	200 W
Overall dimensions	800x500x400 (H)
Weight	Kg 25



The electronics, based on a 16/32-bit microprocessor, are manufactured on a single board made with SMD technology.

The user interface is via the LCD display with two lines of 20 characters and 7 function keys.

The software allows you to store up to 40 different programs of work in the program memorizes all the label information and the type of application, making the format change extremely rapid.

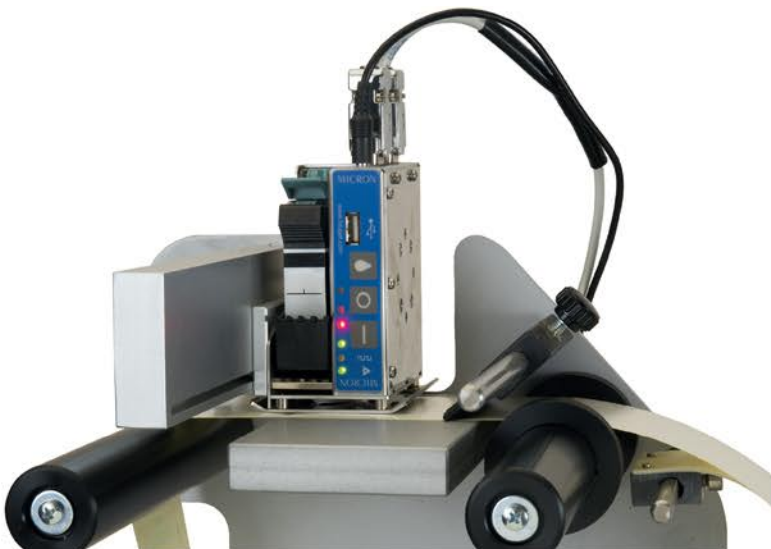


DWR DOUND



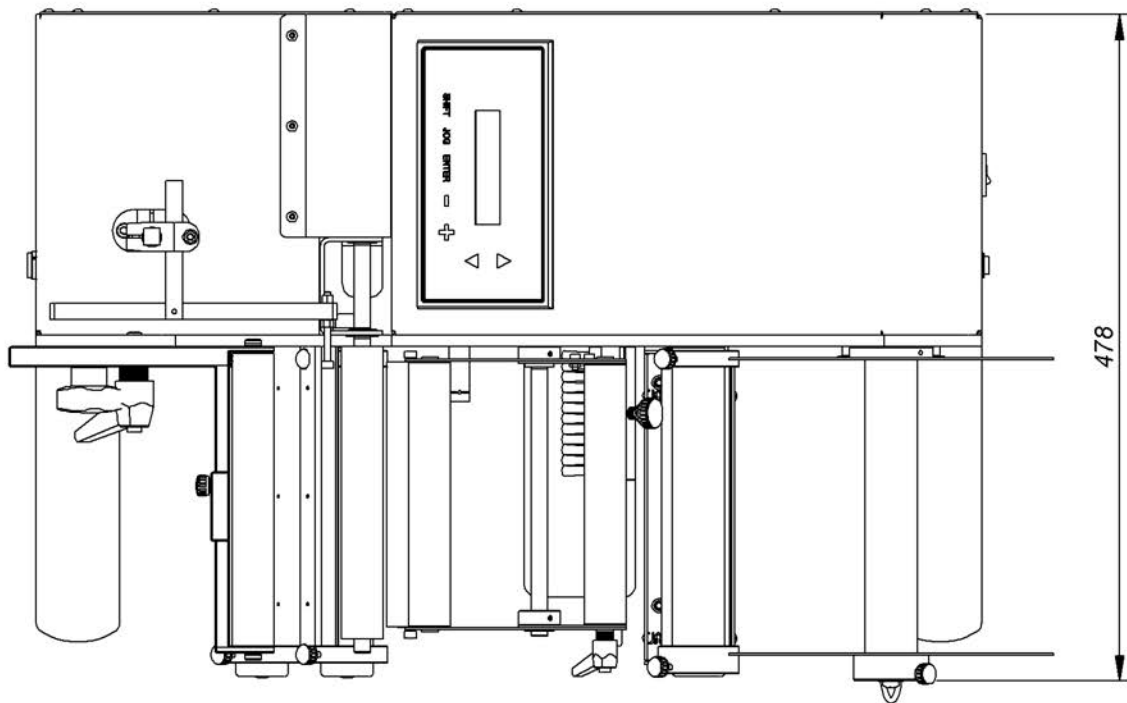
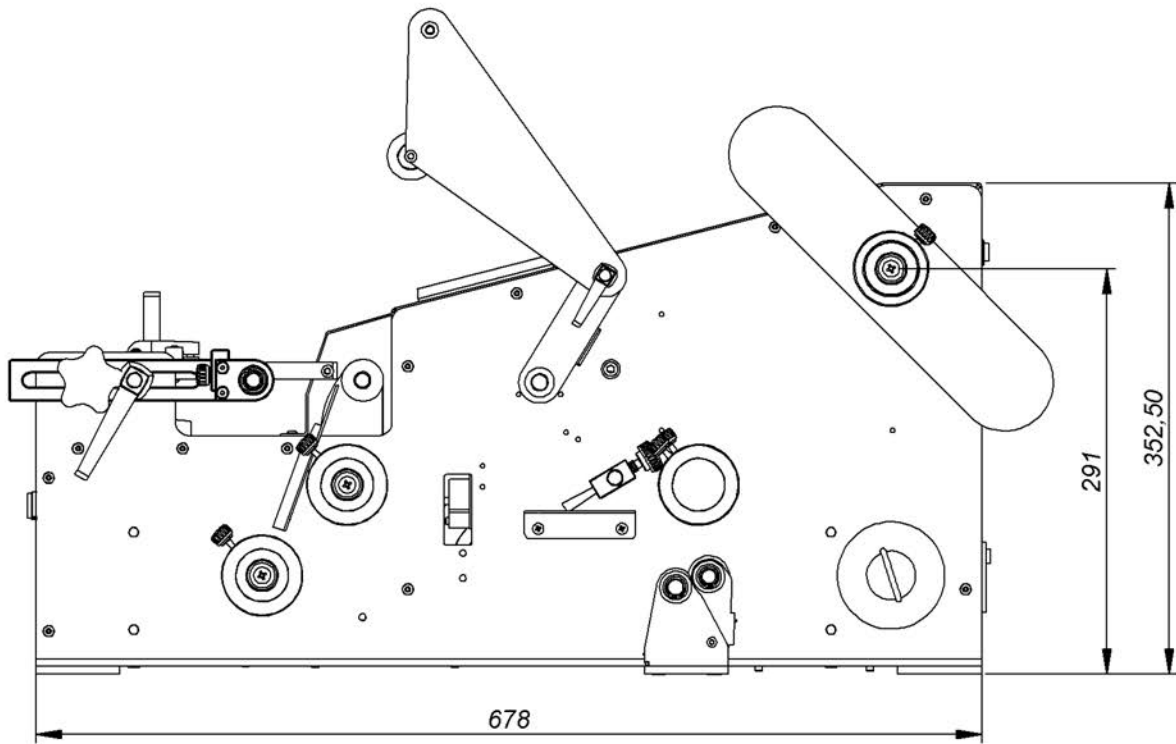
The labels are read by a fork photocell that read the transparency difference between labels and liner. It is also available an ultrasonic sensor which read the thickness difference between labels and liner in the case of transparent labels.

DWR ROUND can apply wraparound label or front and back labels also of different sizes placed on the roll. DWR ROUND can also apply a label to the register reading for example a spot of color on the product or reading a label previously applied.



DWR ROUND can be equipped with a inkjet coder with HP technology for writing variables data such as date time in real time, bar codes, texts with a maximum height of 12.7 mm at 300 dpi resolution and speed synchronized to the feeding label. The text, prepared on a PC using the supplied software, is transferred to the coder via USB.





Wide Range SRL

Via Ferraris, 21 - 20090 Cusago (MI) IT - Tel. +39 02.90.193.66 - Fax. +39 02.90.192.67
www.widerange.it - info@widerange.it - P.IVA IT11220980152